

Single point load cells

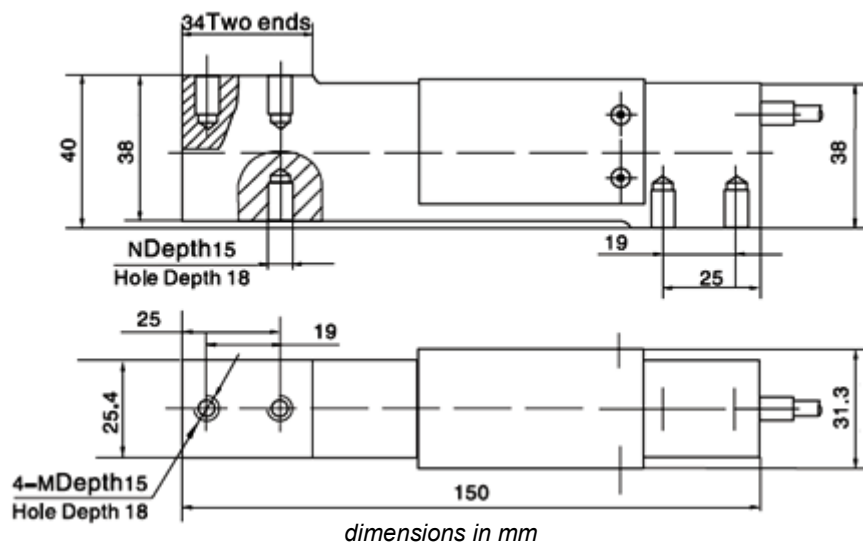


- **Stainless steel IP67 single point load cell**
- Bending beam
- Suitable for weighing equipment like platform and belt scales
- Maximum platform size: 400 x 400 mm
- Shielded, 6 conductor cable; cable diameter: Ø5mm
- Standard cable length: 1 m
- Shield not connected to element

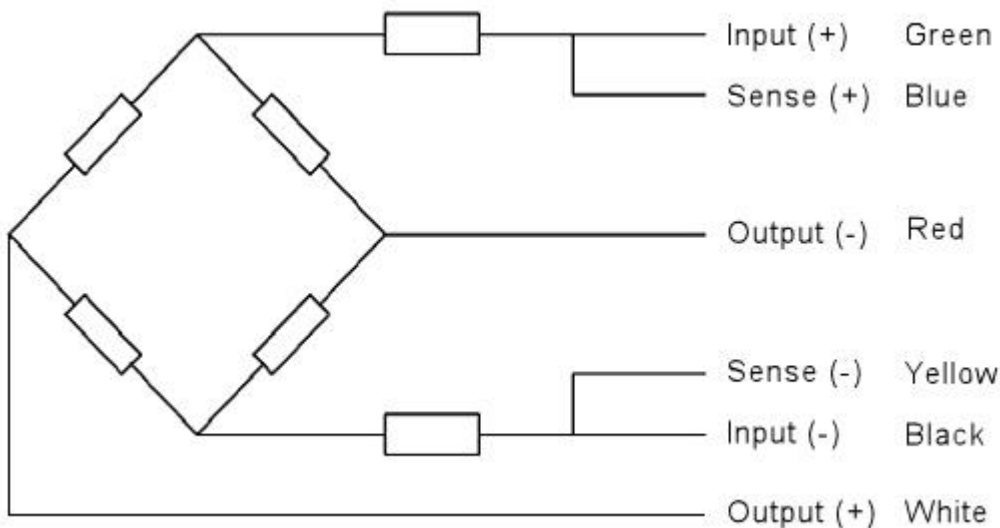


Type AS70

Capacity	Accuracy
8 kg	C3/C4
20 kg	C3/C4
50 kg	C3
100 kg	C3
200 kg	C3



Accuracy class		OIML R60 C3		OIML R60 C4
Output sensitivity (= FS)	mV/V	2.0 ± 0.002		
Maximum capacity (E _{max})	kg	8, 10, 15, 20, 30	50, 75, 100, 150, 200	8, 10, 15, 20, 30
Max.number of load cell intervals	n _{LC}	3000		4000
Ratio of min. LC verification interval	$Y = E_{max} / V_{min}$	10000	9000	15000
Combined Error	%FS	≤ ± 0.0230		≤ ± 0.0175
Minimum dead load	of E _{max}	0%		
Safe overload	of E _{max}	150%		
Ultimate overload	of E _{max}	300%		
Zero balance	of FS	< ± 1.0 %		
Excitation, recommended voltage	V	5 ~ 12		
Excitation maximum	V	18		
Input resistance	Ω	430 ± 60		
Output resistance	Ω	351 ± 2		
Insulation resistance	M Ω	≥ 5000 (at 50VDC)		
Compensated temperature	°C	-10 ~ +40		
Operating temperature	°C	-35 ~ +65		
Storage temperature	°C	-40 ~ +70		
Element material		Stainless steel		
Ingress Protection (acc. to EN 60529)		IP67		
Recommended torque on fixation	Nm	M6: 10		



Wiring Code	
Colour	Function
Green	Input +
Blue	Sense +
Red	Output -
Yellow	Sense -
Black	Input -
White	Output +