

Shear Beam load cell series RSB-ATEX



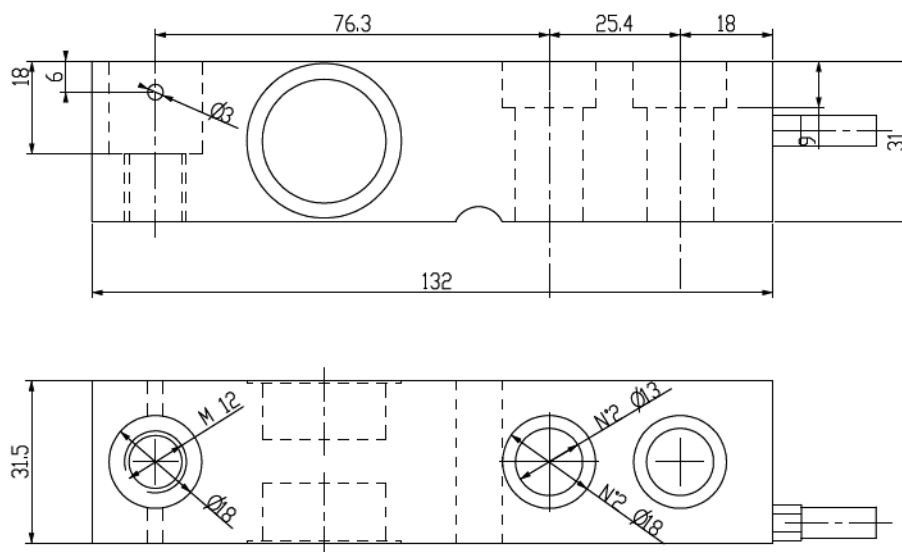
Suitable for use in hazardous areas with protection methods according to:

ATEX II 1G Ex ia IIC T6 (Ta -20÷+40°C) TX (Ta -20÷+65°C) Ga
ATEX II 1D Ex ta IIIC TX°C (Ta -20÷+40°C) TX°C (Ta -20÷+65°C) Da IP65.



Properties

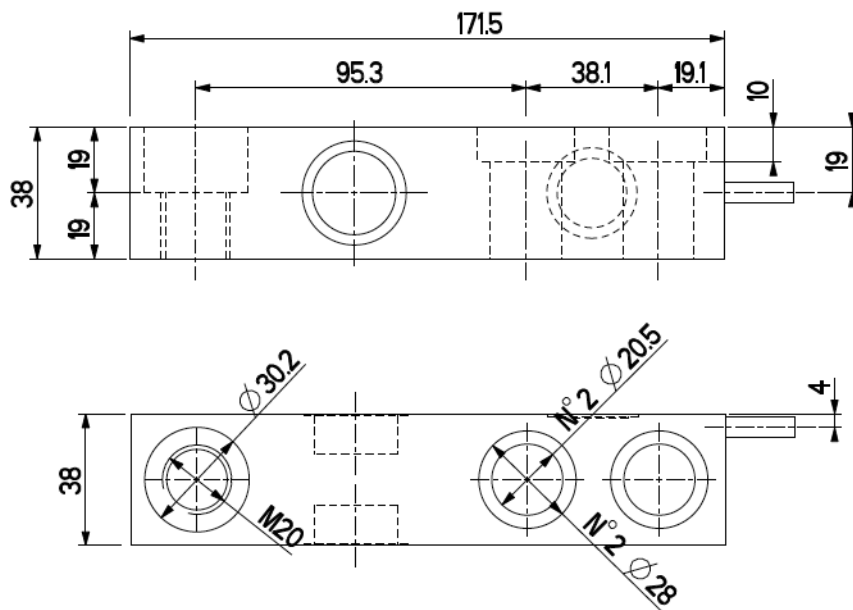
- made of stainless steel 17-4 PH; protection class IP68; precision class C4
- CE verified
- capacities: 500, 1000, 2000, 3000, 4500, 10000 kg
- 6-core shielded cable 15 m
- nominal operating temperature -10 ° C / + 50 ° C
- creep error after 30 minutes: 0.02% F.S.
- maximum allowable voltage: 15 V DC
- input resistance: 1100 ± 20 Ohm
- output resistance: 1100 ± 20 Ohm
- insulation resistance: > 5000 MOhm
- safe overload: 150% F.S.
- extreme overload: 300% F.S..



Type : shear beam load cell
Model : RSB3
Capacities: 500 - 2000 kg

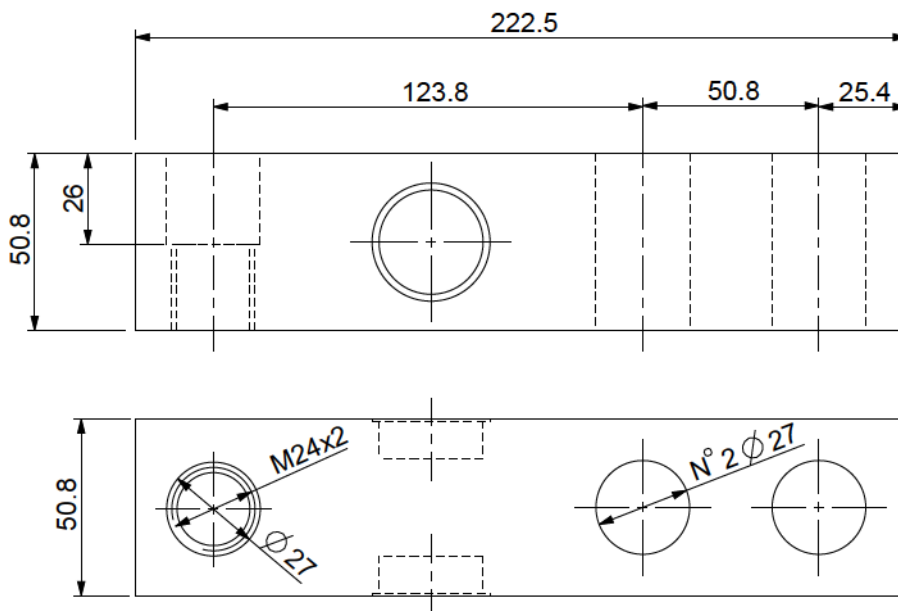
Dimensions in mm





Type : shear beam load cell
 Model : RSB3
 Capacities: 3000 - 4500 kg

Dimensions in mm



Type : shear beam load cell
 Model : RSB3
 Capacity : 10000 kg

Dimensions in mm

