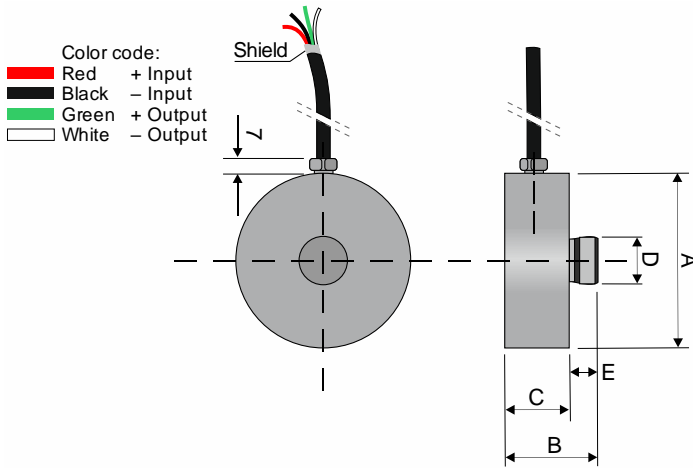


Compression load cell series ASC



Properties

- capacities from 250 to 100000 kg
- CE-M C3 approved, from 2500 to 12500 kg
- low profile
- great resistance to lateral forces
- stainless steel construction
- IP68 protection
- shielded connection cable
- minimum load cell verification interval:
 $V_{min} = E_{Max} / 10000$
- full scale output: 2mV/V +/- 0,5%
- non-repeatability: 0,01% F.S.
- combined error 0,05%
- temperature effect on zero: 0,02% / 10°C
- temperature effect on full scale output: 0,02% / 10°C
- compensated temperature range: -10°C/+40°C
- operating temperature range: -20°C/+60°C
- creep error after 30 minutes: 0,02% F.S.
- maximum tolerated excitation voltage: 15 Vdc
- input resistance: 750 ± 10 Ohm
- output resistance: 700 ± 5 Ohm
- zero balance: +/- 1% F.S.
- insulation resistance: >5000 MOhm
- safe overload: 120% F.S.
- 4-wire shielded cable, 5 mm diameter:
 - 5 m long for 250 kg - 5 t versions;
 - 10 m long for 7,5 - 100 t versions.

Also available as an ATEX version for use in hazardous areas.

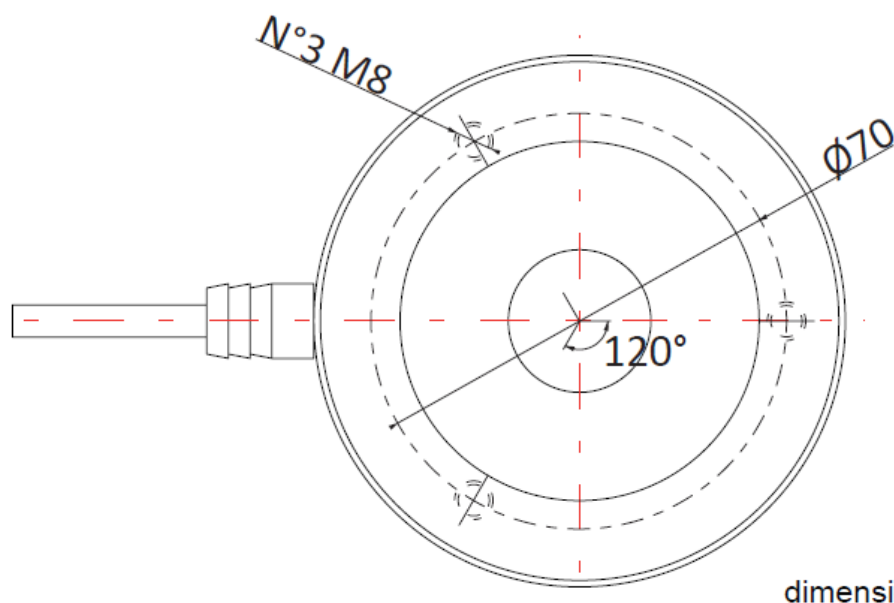
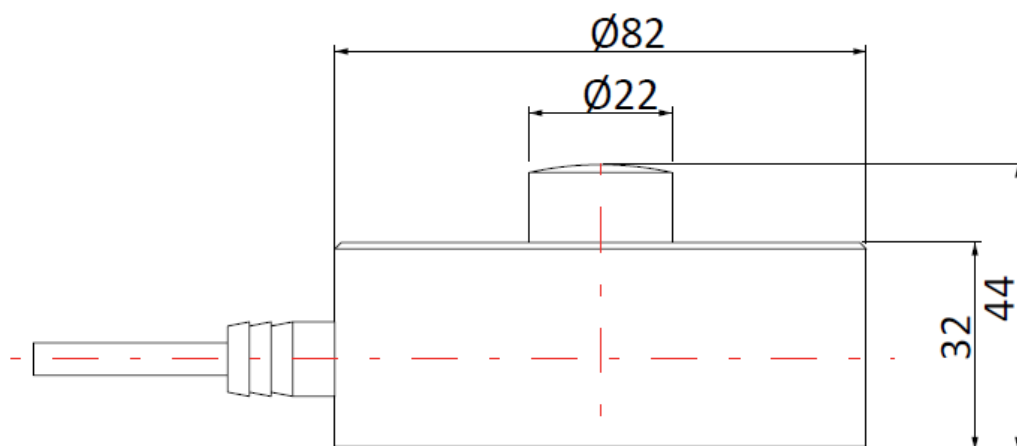
type	ASC-250	ASC-500	ASC-1000	ASC-2500	ASC-5000	ASC-7500	ASC-10T	ASC-15T	ASC-30T	ASC-50T	ASC-100T	ASC-200T
capacity kg	250	500	1000	2500	5000	7500	10000	15000	30000	50000	100000	200000
dim. A mm	82	82	82	82	82	82	82	100	126	165	165	175
dim. B mm	44	44	44	44	44	44	44	48,5	54	80	80	80
dim. C mm	32	32	32	32	32	32	32	35	40	60	60	60
dim. D mm	22	22	22	22	22	22	22	28	35	60	60	70
dim. E mm	12	12	12	12	12	12	12	13,5	14	20	20	20



Compression load cells series ASC

Measurement sketch for capacities

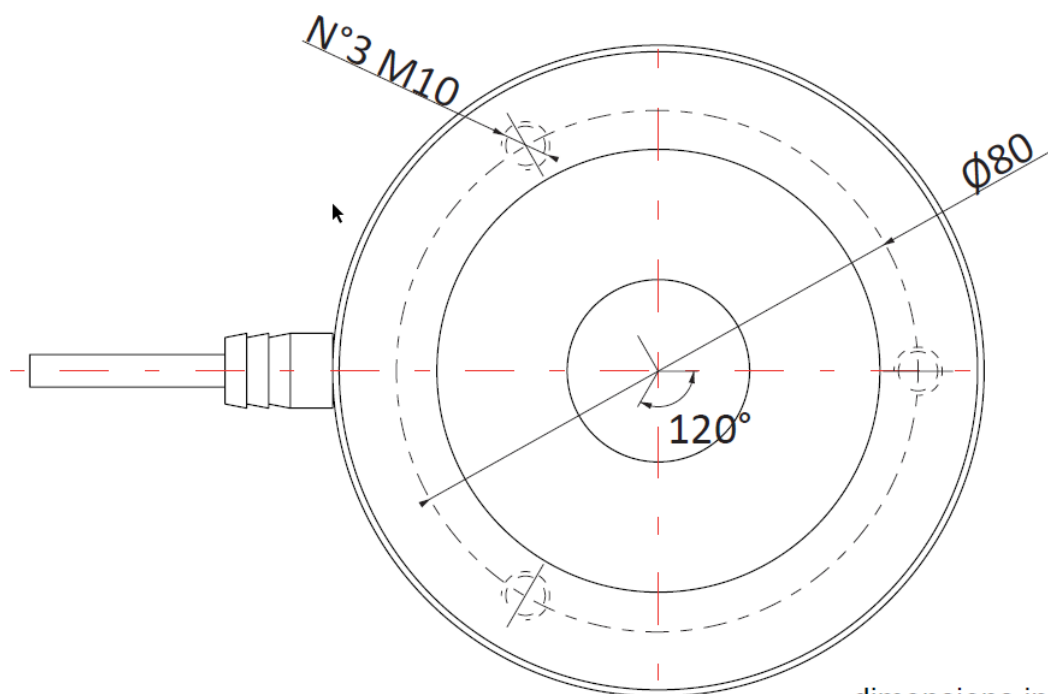
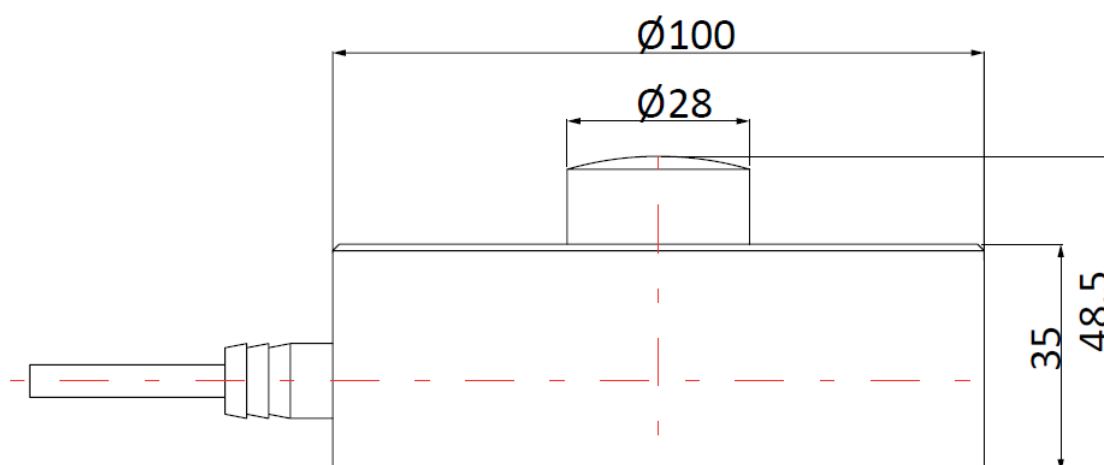
250 - 500 - 1000 - 2500 - 5000 - 10000 - 12500 kg



dimensions in mm

Compression load cells series ASC

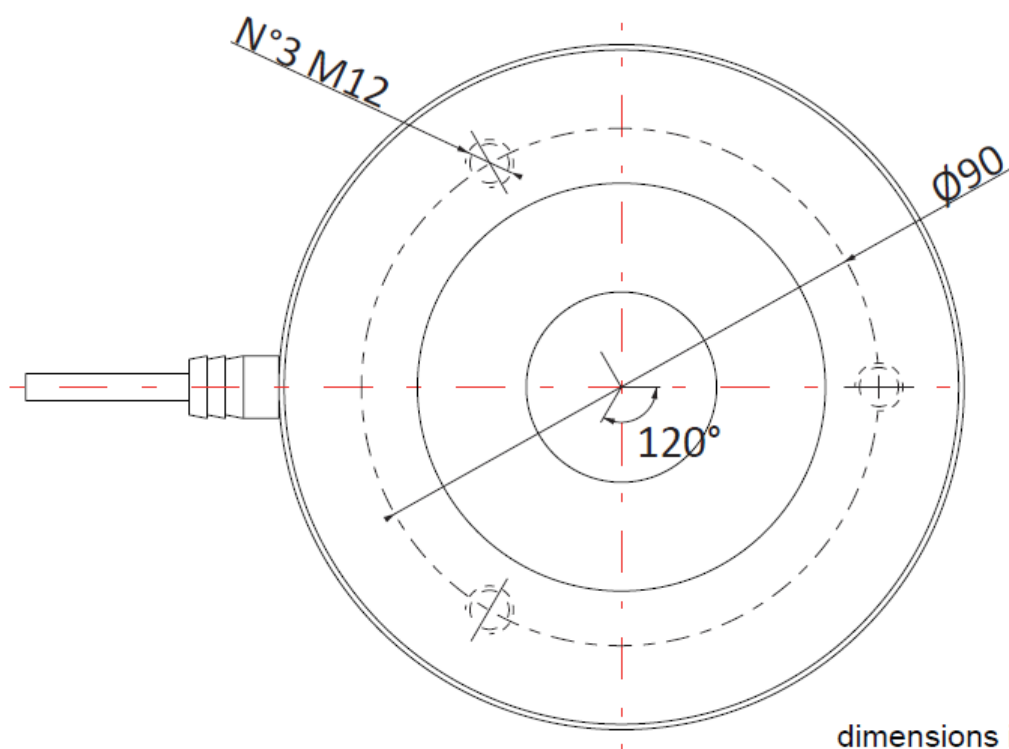
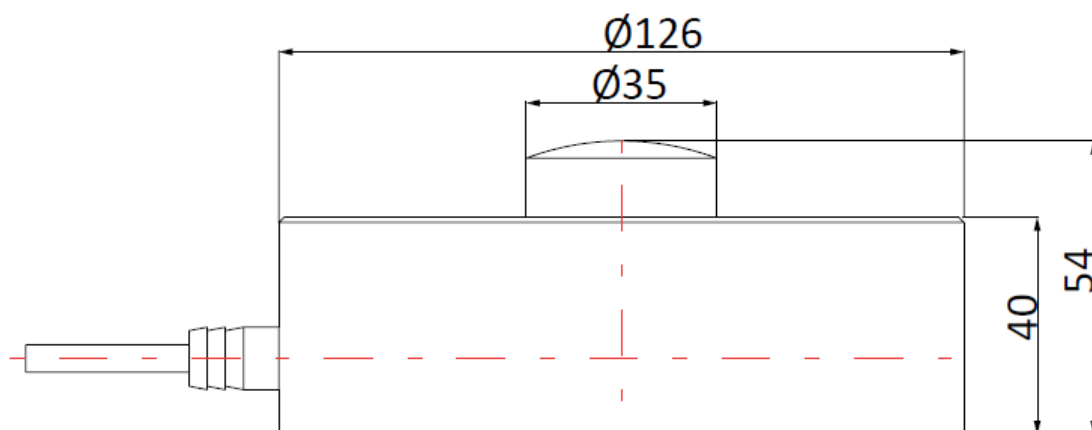
Measurement sketch for capacity 15000 kg



dimensions in mm

Compression load cells series ASC

Measurement sketch for capacity 30000 kg

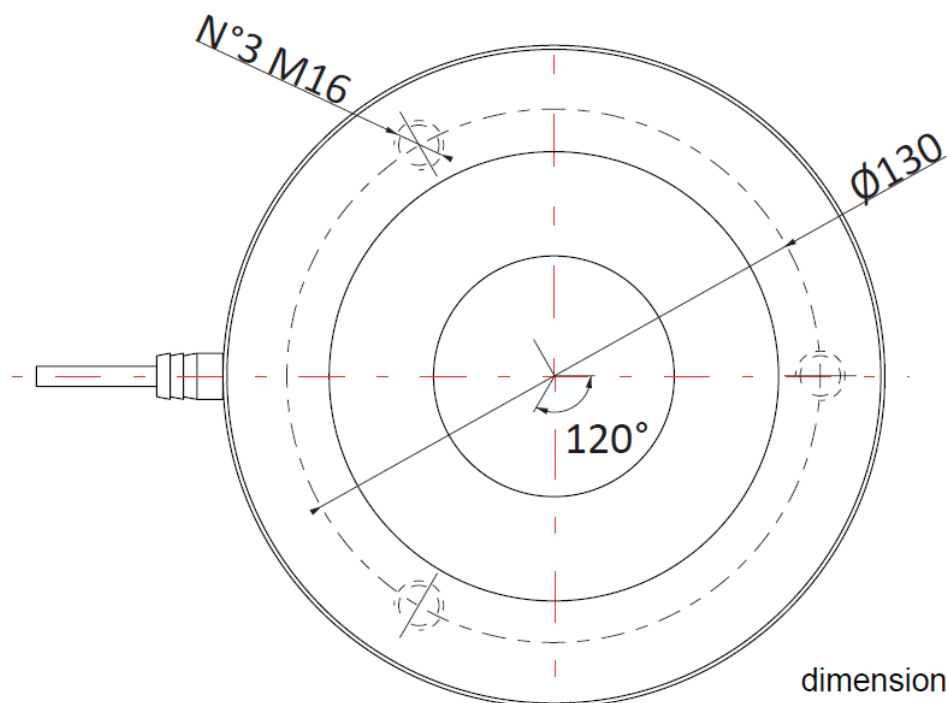
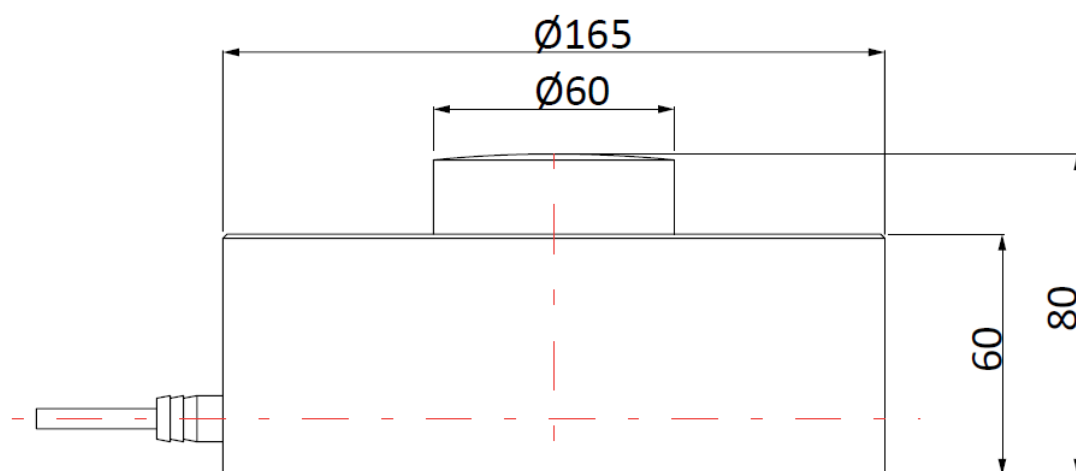


dimensions in mm



Compression load cells series ASC

Measurement sketch for capacities 50000 - 100000 kg

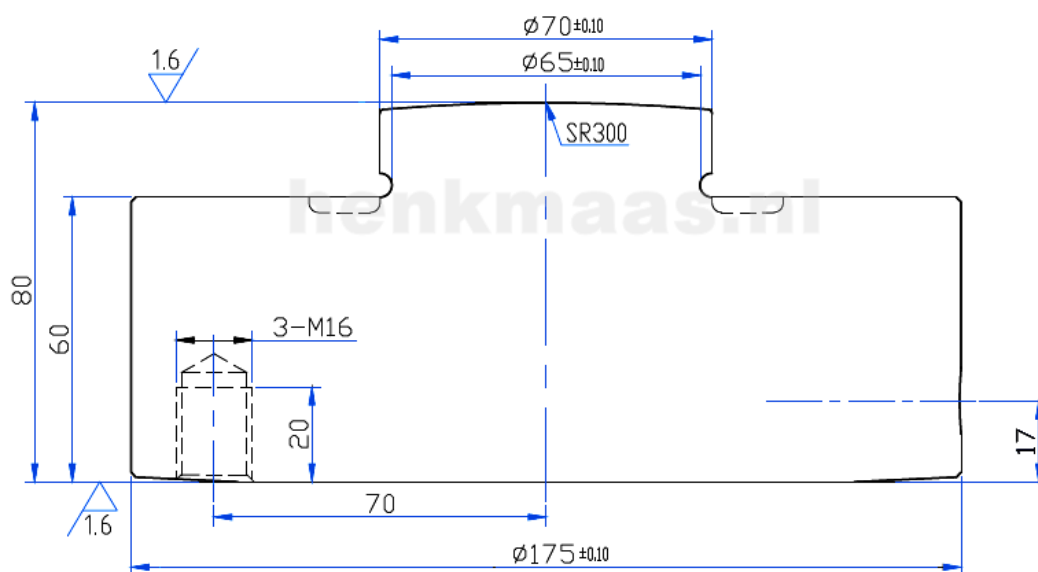


dimensions in mm

Compression load cells series ASC

Measurement sketch for capacity 200000 kg

Dimensions in mm



henkmaas.nl

